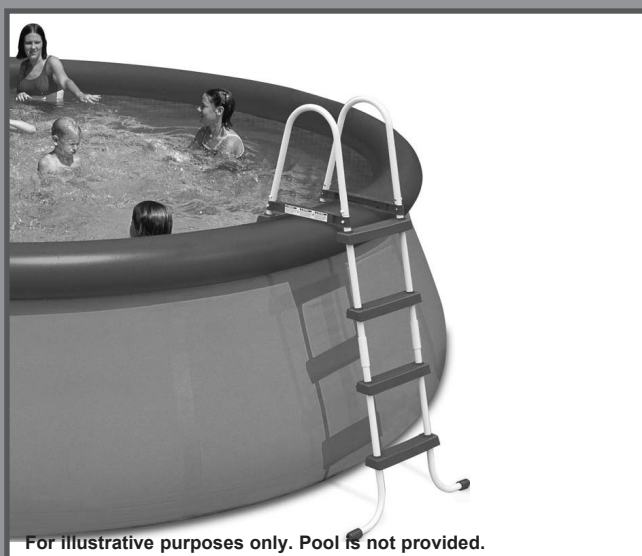


**IMPORTANT
SAFETY RULES**
Read, Understand, and Follow
all Instructions Carefully before
Installing and using this Product.

Pool Ladder

Owner's Manual For:
48in (122 cm) model



For illustrative purposes only. Pool is not provided.

Don't forget to try these other fine Intex products: Pools, Pool Accessories, Inflatable Pools and In-Home Toys, Airbeds and Boats available at fine retailers or visit our website. Due to a policy of continuous product improvement, Intex reserves the right to change specifications and appearance, which may result in updates to the instruction manual, without notice.



©2016 Intex Marketing Ltd. - Intex Development Co. Ltd. - Intex Trading Ltd. - Intex Recreation Corp.

All rights reserved/Tous droits réservés/Todos los derechos reservados/Alle Rechte vorbehalten. Printed in China/Imprimé en Chine/Impreso en China/Gedruckt in China.

®™ Trademarks used in some countries of the world under license from®™ Marques utilisées dans certains pays sous licence de/ Marcas registradas utilizadas en algunos países del mundo bajo licencia de/Warenzeichen verwendet in einigen Ländern der Welt in Lizenz von/Intex Marketing Ltd. to/à/a/an Intex Trading Ltd., Intex Development Co. Ltd., G.P.O Box 28829, Hong Kong & Intex Recreation Corp., P.O. Box 1440, Long Beach, CA 90801 • Distributed in the European Union by/Distribué dans l'Union Européenne par/Distribuido en la unión Europea por/Vertrieb in der Europäischen Union durch/Intex Trading B.V., Venneveld 9, 4705 RR Roosendaal - The Netherlands
www.intexcorp.com

TABLE OF CONTENTS

Warnings.....	3
Parts References.....	4
Setup Instructions.....	5-8
General Aquatic Safety.....	8
Limited Warranty.....	9

IMPORTANT SAFETY RULES

Read, Understand and Follow All Instructions Carefully Before Installing and Using this Product.

WARNING

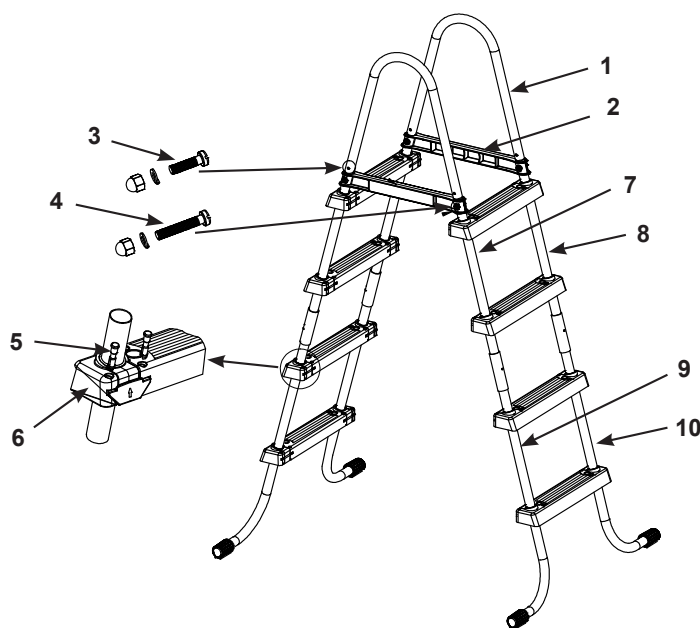
- Supervise children and those with disabilities at all times.
- Always assist children when they use the ladder to avoid falls and/or serious injury.
- Never dive or jump from this ladder.
- Locate the ladder on a level, solid base.
- One person on this ladder at a time.
- Maximum load: 300 lbs (136 kg). Complies with EN16582 strength requirements.
- Face the ladder at all times for entry/exit of pool.
- Remove and secure ladder when pool is not occupied.
- Do not swim under, through or behind ladder.
- Check all nuts and bolts regularly to ensure ladder stays sturdy.
- If swimming at night use artificial lighting to illuminate all safety signs, ladders, pool floor and walkways.
- Assembly and disassembly by adults only.
- This ladder is designed and manufactured for a specific pool wall height and/or deck of the pool. Do not use with other pools.
- Failure to follow the maintenance instructions and warnings may result in adverse health effects or injury, particularly to children.
- Only use this ladder for the purposes described in this manual.

FAILURE TO FOLLOW THESE WARNINGS MAY RESULT IN BROKEN BONES, ENTRAPMENT, PARALYSIS, DROWNING OR OTHER SERIOUS INJURY.

These product warnings, instructions and safety rules provided with the product represent some common risks of water recreation devices and do not cover all instances of risk and danger. Please use common sense and good judgment when enjoying any water activity.

PARTS REFERENCE

Before assembling your product, please take a few minutes to check the contents and become familiar with all the parts.



48" (122 cm) model

NOTE: Drawings for illustration purpose only. Actual product may vary. Not to scale.

REF. NO.	DESCRIPTION	QUANTITY	SPARE PART NO.	
			#28062	#10903/28058
1	U-SHAPED TOP RAIL	2	11167	12499
2	TOP BRACE	2	11168	11172
3	SHORT FASTENER FOR U-SHAPED TOP RAIL (WITH 1 EXTRA)	5	10810	10810
4	LONG FASTENER FOR TOP BRACE (WITH 1 EXTRA)	5	10227	10227
5	STEP MOUNTING PIN (WITH 2 EXTRA)	34	10349	10913
6	STEP	8	10348	10914
7	UPPER SIDE LEG (MARKED "A")	2	11553A	12500A
8	UPPER SIDE LEG (MARKED "B")	2	11553B	12500B
9	LOWER J-SHAPED SIDE LEG (MARKED "A")	2	12266A	12501A
10	LOWER J-SHAPED SIDE LEG (MARKED "B")	2	12266B	12501B

This ladder is designed and manufactured for Intex pool wall height:

Item #	Pool Wall Height
28062 (white & blue)	48in (122 cm)
10903/28058 (grey & white)	48in (122 cm)

LADDER SETUP

TOOLS REQUIRED: One (1) Phillips screwdriver
One (1) pair of pliers or a small adjustable wrench

IMPORTANT: Do not fully tighten fasteners until last assembly operation.

⚠ WARNING

ASSEMBLE THE LEGS BEFORE INSTALLING THE LADDER STEPS. FAILURE TO ASSEMBLE THE LEGS BEFORE INSTALLING THE STEPS MAY ALLOW THE LEGS TO SEPARATE FROM THE LADDER DURING USE, POSSIBLY RESULTING IN SERIOUS INJURY OR DEATH.

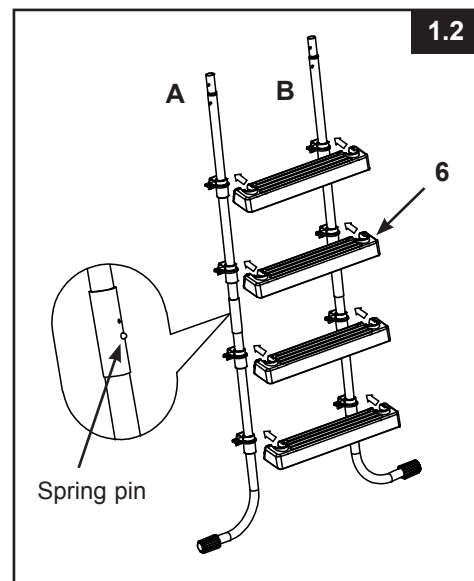
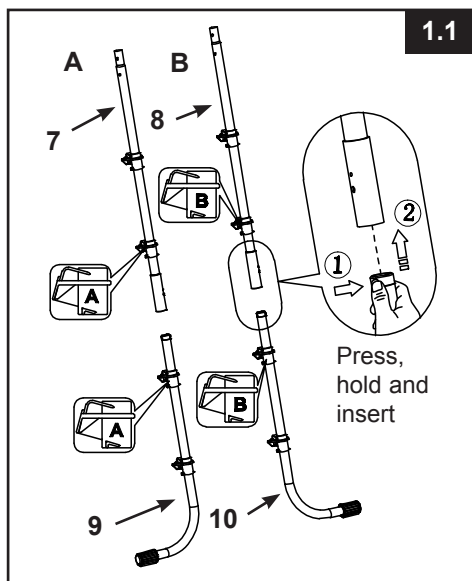
1. IDENTIFY PARTS:

It is very important to lay out the parts correctly and identify which parts connect together before starting the assembly. Although some parts look alike, they are not always interchangeable. Refer to the parts list.

⚠ WARNING

INCORRECTLY CONNECTED PARTS MAY RESULT IN AN UNSTABLE LADDER OR LADDER FAILURE WHICH CAN CAUSE FALLING AND PERSONAL INJURY OR DEATH.

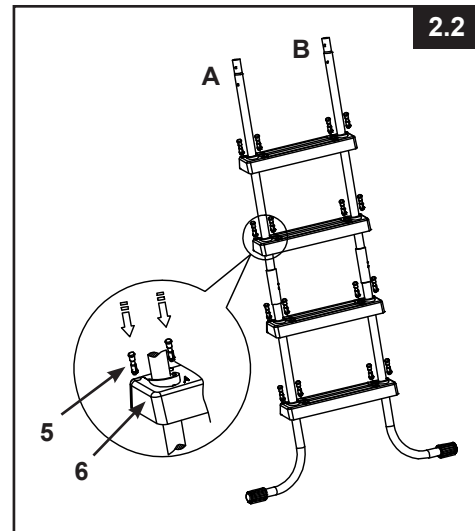
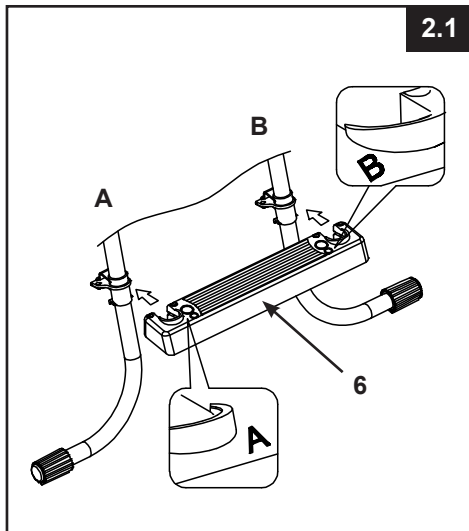
2. LEG ASSEMBLY (refer to figures 1.1 through 1.2):



IMPORTANT: Make sure the legs are securely connected and locked. Check the spring pins have snapped out before proceeding to the next step. Ensure the J-shaped legs are pointing outwards before installing the steps.

LADDER SETUP (continued)

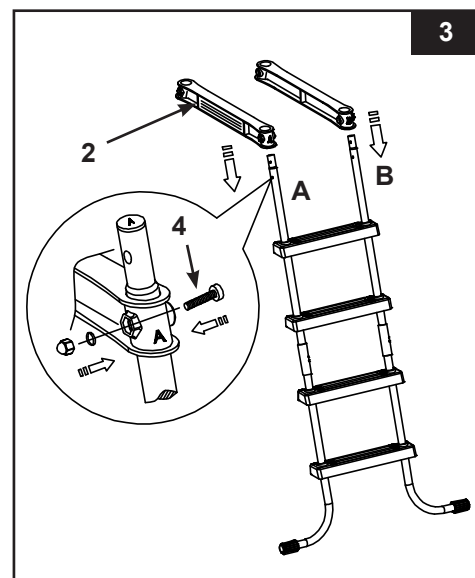
3. STEP INSTALLATION (refer to figures 2.1 through 2.2):



IMPORTANT: Make sure all pins are securely locked.

4. TOP BRACE INSTALLATION – ONE SIDE AT A TIME (refer to figure 3):

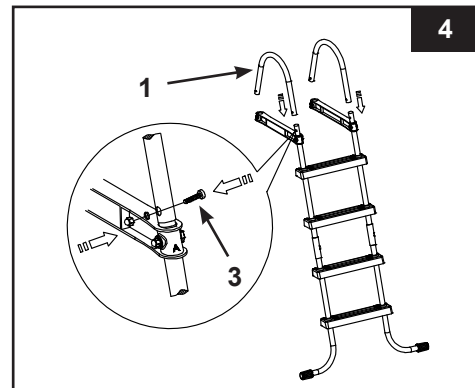
Identify hole "A" and hole "B" on the top braces (2), marked accordingly at each end. Slide the top braces over the legs, making sure hole "A" of one brace slides over leg "A" and hole "B" of the other brace over leg "B". The small holes on the side of braces should align with the lower holes on the legs. Fasten each brace to the legs using the longer fasteners/screws (4). Do not yet attach the other side of the ladder to the top braces – this assembly step will follow later.



LADDER SETUP (continued)

5. U-SHAPED TOP RAIL INSTALLATION (refer to figure 4):

Install the U-shaped top rails (1) onto the legs above the top brace (2) and fasten them with the shorter fasteners/screws (3) – see figure 4.



6. INSTALLATION OF THE REMAINING LADDER SIDE (refer to figure 5):

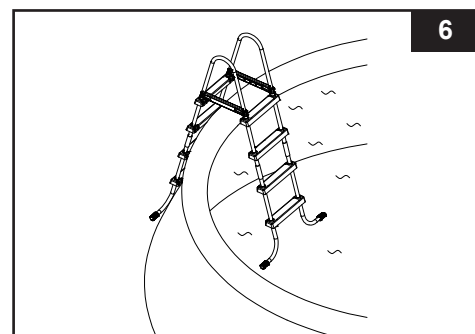
With all the top rail and top brace holes in alignment, slide the remaining ladder side from the underside into its proper position. Make sure the "A" leg slides into hole "A" of the top brace and the "B" leg slides into hole "B" of the corresponding top brace. Fasten all parts using the appropriate fasteners/screws (4) and (3), as described earlier.



7. BEFORE USE OF LADDER:

With all parts now in place, verify that all fasteners/screws are fully tightened and apply downward pressure to each step to be sure they are fully anchored in place. If your ladder came with a ladder barrier, proceed to instructions for ladder barrier installation, otherwise proceed to placing the ladder over the side wall of your pool, with one side of the ladder located inside the pool and the other side outside of the pool - see figure 6.

Estimated assembly time 20~45 minutes.
(Note the assembly time is only approximate and individual assembly experience may vary.)



⚠ WARNING

- Locate ladder on a level, solid base and make sure the ladder is stable and safe to climb.
- Remove and secure ladder away from the pool when the pool is not in use to prevent unauthorized, unintentional or unsupervised pool entry.
- Check all nuts and bolts regularly and before each use to ensure the ladder is sturdy. See maintenance instructions.

LADDER SETUP (CONTINUED)

8. MAINTENANCE:

Regularly check all nuts, bolts, step mounting fixtures and step mounting pins to ensure all parts are secured properly and the ladder is sturdy.

9. WINTERIZING / LONG TERM STORAGE:

- a. Remove the ladder from the pool, and make sure the ladder is thoroughly dry before long term storage.
- b. Bring the ladder and all its components indoors and store in a safe and dry area, preferably between 32° F (0° C) and 104° F (40° C).
- c. Be sure the ladder and all components are stored in a safe place away from children's reach.

GENERAL AQUATIC SAFETY

Water recreation is both fun and therapeutic. However, it involves inherent risks of injury and death. To reduce your risk of injury, read and follow all product, package and package insert warnings and instructions. Remember, however, that product warnings, instructions and safety guidelines cover some common risks of water recreation, but do not cover all risks and dangers.

For additional safeguards, also familiarize yourself with the following general guidelines as well as guidelines provided by nationally recognized Safety Organizations:

- Demand constant supervision. A competent adult should be appointed as a "lifeguard" or water watcher, especially when children are in and around the pool.
- Learn to swim.
- Take the time to learn CPR and first aid.
- Instruct anyone who is supervising pool users about potential pool hazards and about the use of protective devices such as locked doors, barriers, etc.
- Instruct all pool users, including children what to do in case of an emergency.
- Always use common sense and good judgement when enjoying any water activity.
- Supervise, supervise, supervise.

**SAVE THE CARTON FOR STORAGE AND THE INSTRUCTIONS
FOR RE-ASSEMBLY**

LIMITED WARRANTY

Your Intex Pool Ladder has been manufactured using the highest quality materials and workmanship. All Intex products have been inspected and found free of defects prior to leaving the factory. This Limited Warranty applies to the Intex Pool Ladder only.

This limited warranty is in addition to, and not a substitute for, your legal rights and remedies. To the extent that this warranty is inconsistent with any of your legal rights, they take priority. For example, consumer laws across the European Union provide statutory warranty rights in addition to the coverage you receive from this limited warranty: for information on EU-wide consumer laws, please visit the European Consumer Center website at http://ec.europa.eu/consumers/ecc/contact_en/htm.

The provisions of this Limited Warranty apply only to the original purchaser and are not transferable. This Limited Warranty is valid for a period of 90 days from the date of the initial retail purchase. Keep your original sales receipt with this document, as proof of purchase will be required and must accompany warranty claims or the Limited Warranty will be invalid.

If you find a manufacturing defect in the Intex Pool Ladder during the warranty period, please contact the appropriate Intex Service Center listed in the separate "Authorized Service Centers" sheet. If the item is returned as directed by the Intex Service Center, the Service Center will inspect the item and determine the validity of the claim. If the item is covered by the provisions of the warranty, the item will be repaired or replaced, with the same or comparable item (at Intex's choice) at no charge to you.

Other than this warranty, and other legal rights in your country, no further warranties are implied. To the extent possibly in your country, in no event shall Intex be liable to you or any third party for direct or consequential damages arising out of the use of your Intex Pool Ladder, or Intex or its agents' and employees' actions (including the manufacture of the product). If your country does not allow the exclusion or limitation of incidental or consequential damages, this limitation or exclusion does not apply to you.

You should note that this limited warranty does not apply in the following circumstances:

- If the Intex Pool Ladder is subject to negligence, abnormal use or application, accident, improper operation, improper maintenance or storage.
- If the Intex Pool Ladder is subject to damage by circumstances beyond Intex's control, including but not limited to, ordinary wear and tear and damage caused by exposure to fire, flood, freezing, rain, or other external environmental forces;
- To parts and components not sold by Intex; and/or
- To unauthorized alterations, repairs or disassembly to the Intex Pool Ladder by anyone other than Intex Service Center personnel.

The costs associated with the loss of pool water, chemicals or water damages are not covered by this warranty. Injury or damage to any property or person is not covered by this warranty.

Read the owner's manual carefully and follow all instructions regarding proper operation and maintenance of your Intex Pool Ladder. Always inspect your product prior to use. This limited warranty will be void if use instructions are not followed.