



ULTRA FRAME POOLS – 16ft



#11449
T-Joint (2012 Onwards)
PLU# 37602



#10317
Restraining Rope
37259

PLU# 37545



#10980
Horizontal Beam (Prior 2012)
PLU# 32630



#11452
Vertical Leg (2012 Onwards)
PLU# 37604



#10184
Drain Connector
PLU# 32636



#10982
T-Joint (Prior 2012)
PLU# 32631



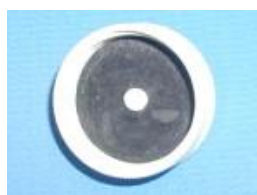
#11453
Leg Cap
37605



#10201
Drain Connector 2
PLU# 32943

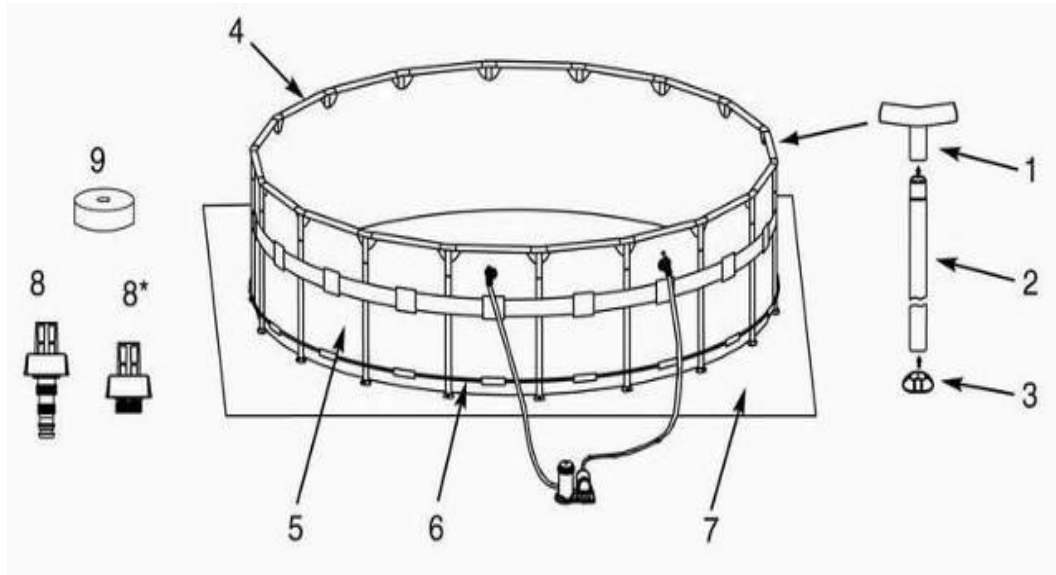


#11451
Horizontal Beam
PLU# 37603



#11044
Drain Valve Cap

ULTRA FRAME POOLS – 16ft cont.



REF NO.	PLU	SPARE PART NO.	DESCRIPTION	QTY
1	37602	11449	T-JOINT	16
2	37604	11452	VERTICAL LEG	16
3	37605	11453	LEG CAP	16
4	37603	11451	HORIZONTAL BEAM	16
5	37549	11080	16FT x 48" ULTRA FRAME POOL LINER	1
6	37259	10317	RESTRAINING ROPE	1
8	32943	10201	DRAIN CONNECTOR	1
9	37545	11044	DRAIN VALVE CAP	1