



## SALTWATER SYSTEM PUMP #CS8231

(Product Code: 54612)



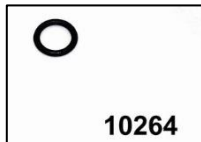
**#10460**  
Air Release Valve  
PLU# 32929



**#10725**  
Air Release Valve B  
PLU# 37437



**#11251**  
Flow Sensor Conduit  
PLU# 37568



**#10264**  
Air Release Valve  
PLU# 32930



**#10494**  
3M Pump Hose with Nuts  
PLU# 29162



**#10717**  
O-Ring C  
PLU# 37378



**#10491**  
Threaded Filter Housing  
Collar  
PLU# 37312



**#10726**  
Water Transfer Hose  
PLU# 29354



**#10724**  
Angle Joint  
PLU# 37436



**#10490**  
Filter Housing Cover  
PLU# 32914



**#10712**  
O-Ring A  
PLU# 37315



**#10743**  
O-Ring D  
PLU# 37483

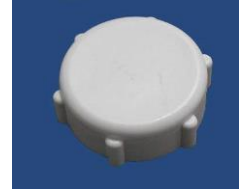
## SALTWATER SYSTEM PUMP #CS8231 cont.



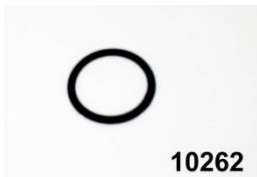
**#10747**  
Plunger Valve  
PLU# 29201



**#11074**  
Adjustable Pool Inlet Nozzle  
PLU# 32939



**#11131**  
Electrolytic Cell Cover  
PLU# 37554



**#10262**  
Hose O-Ring  
PLU# 32934



**#10722**  
Adaptor B  
PLU# 32940



**#11460**  
Flow Sensor  
PLU# 37608



**#10745**  
Step Washer  
PLU# 32935



**#11070**  
Strainer Connector  
PLU# 29208



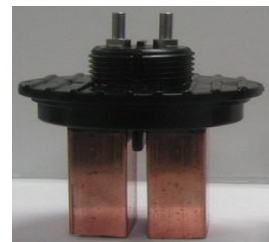
**#11233**  
Electrolytic Cell  
(with Titanium Plates)  
PLU# 37565



**#10256**  
Strainer Nut  
PLU# 32936



**#11071**  
Pool Inlet Nozzle  
PLU# 29209



**#11234**  
Copper Electrode  
PLU# 37566



**#10255**  
Flat Strainer Rubber Washer  
PLU# 32937



**#11072**  
Strainer Grid  
PLU# 30042



**#11235**  
Threaded Strainer Connector  
PLU# 32938

## SALTWATER SYSTEM PUMP #CS8231 cont.



**#11251**  
Flow Sensor Conduit  
PLU# 37568



**#10494**  
3M Hose with Nuts  
PLU# 29162



**#11488**  
Copper Electrode Nut  
PLU# 37615

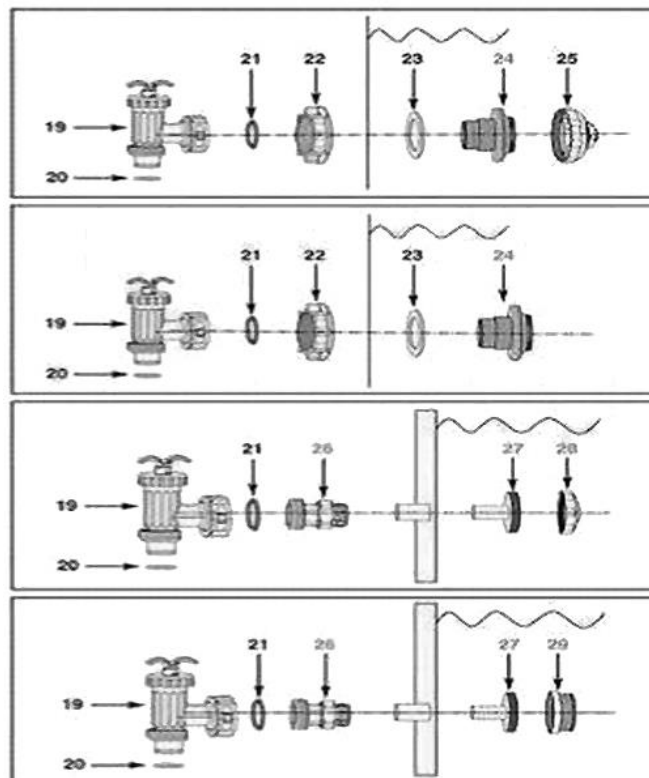
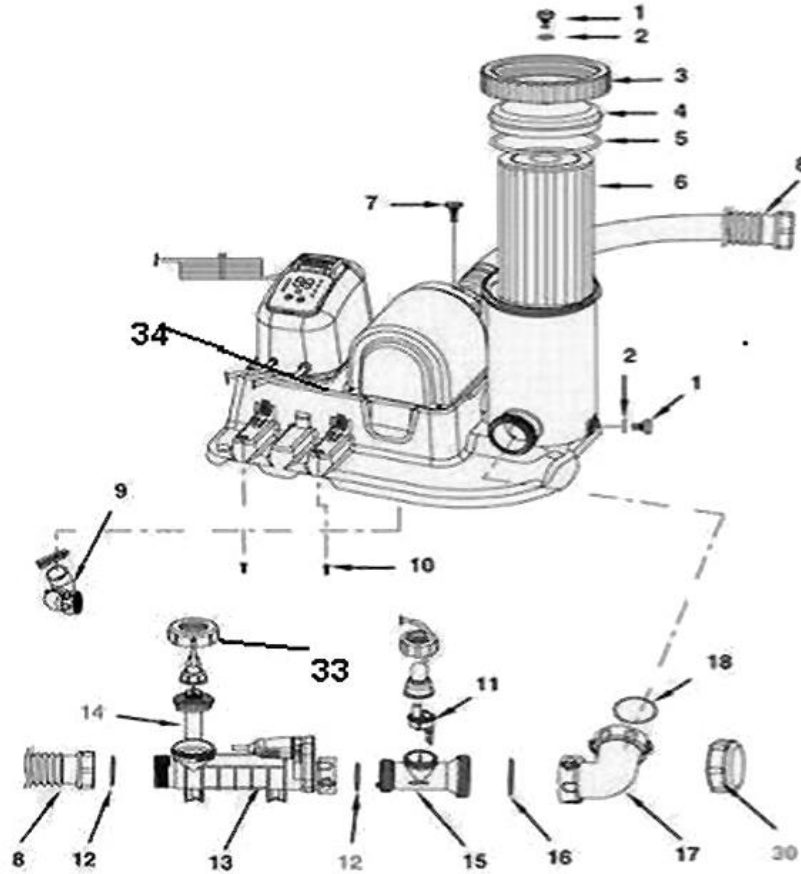


**#10116**  
1.5M Pump Hose  
PLU# 29160



**#11478AU**  
Filter Housing/Motor/Control  
Station  
PLU# 37628

## SALTWATER SYSTEM PUMP #CS8231 cont.



## SALTWATER SYSTEM PUMP #CS8231 cont.

REF NO.	PLU	SPARE PART NO.	DESCRIPTION	QTY
1	32929	10460	AIR RELEASE VALVE / SEDIMENT RELEASE VALVE	2
2	32930	10264	AIR RELEASE VALVE O-RING	2
3	37312	10491	THREADED FILTER HOUSING COLLAR	1
4	32914	10490	FILTER HOUSING COVER	1
5	37572	11330	FILTER HOUSING O-RING	1
7	37437	10725	AIR RELEASE VALVE B (WITH O-RING)	1
8	29162	10494	3M X 1-1/2" PUMP HOSE WITH NUTS (WITH GREY COLOR)	1
9	29354	10726	WATER TRANSFER HOSE(WITH COLLAR AND 2 HOSE CLAMPS)	1
10	37334	10713	SCREW (USE WITH ELECTROLYTIC CELL)	2
11	37608	11460	FLOW SENSOR	1
12	37315	10712	O-RING A	2
13	37565	11233	ELECTROLYTIC CELL (WITH TITANIUM PLATES) (O-RING A INCLUDED)	1
14	37566	11234	COPPER ELECTRODE	1
15	37568	11251	FLOW SENSOR CONDUIT	1
16	37378	10717	O-RING C (PRE-INSTALLED IN 05CG-06)	1
17	37436	10724	ANGLE JOINT	1
18	37483	10743	O-RING D	1
19	29201	10747	PLUNGER VALVE	2
20	32934	10262	HOSE O-RING	2
21	32935	10745	STEP WASHER	2
22	32936	10256	STRAINER NUT	2
23	32937	10255	FLAT STRAINER RUBBER WASHER	2
24	32938	11235	THREADED STRAINER CONNECTOR	2
25	32939	11074	ADJUSTABLE POOL INLET NOZZLE	1
26	32940	10722	ADAPTOR B	2
27	29208	11070	STRAINER CONNECTOR FOR 1-1/4" FITTING	2
28	29209	11071	POOL INLET NOZZLE	1
29	30042	11072	STRAINER GRID	1
30	37554	11131	ELECTROLYTIC CELL COVER	1
33	37615	11488	COPPER ELECTRODE NUT	1
34	37628	11478AU	FILTER HOUSING/MOTOR/CONTROL STATION FOR 54612AU	1
	29160	10116	1.5M X DIA1-1/4" PUMP HOSE	2