



SALTWATER SYSTEM PUMP #54602



#10712
O-Ring A
PLU# 37315



#11233
Electrolytic Cell
(with Titanium Plates)
PLU# 37565



#11476AU
Control Station
PLU# 37634



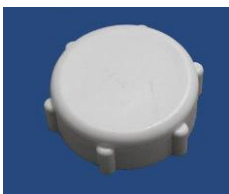
#10722
Adaptor B
PLU# 32940



#11234
Copper Electrode
PLU# 37566



#11488
Copper Electrode Nut
PLU# 37615

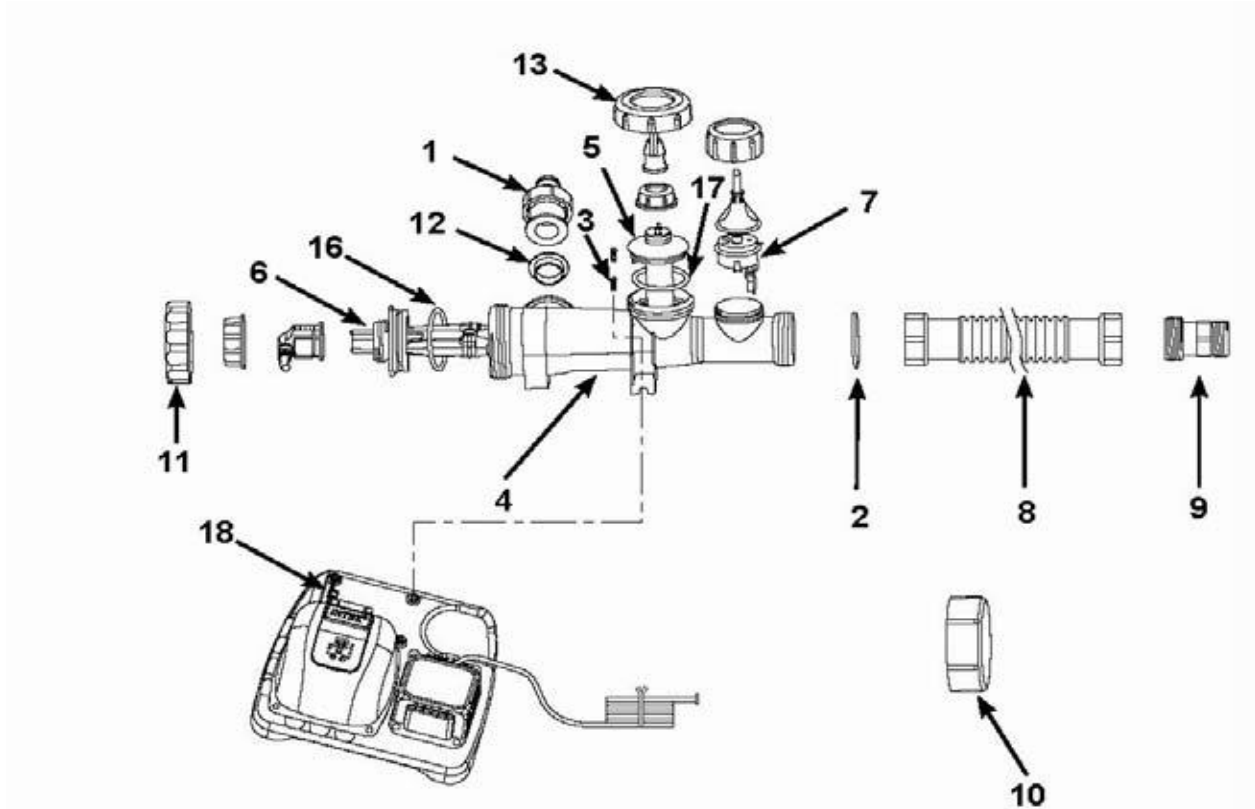


#11131
Electrolytic Cell Cover
PLU# 37554



#11460
Flow Sensor
PLU# 37608

SALTWATER SYSTEM PUMP #54602 cont.



REF NO.	PLU	SPARE PART NO.	DESCRIPTION	QTY
1	32941	10849	ADAPTOR A WITH THREADED COLLAR	1
2	37315	10712	O-RING A	1
3	37624	11519	SCREW	2
4	37593	11433	ELECTROLYTIC CELL HOUSING	1
5	37566	11234	COPPER ELECTRODE	1
6	37575	11374	TITANIUM ELECTRODE	1
7	37608	11460	FLOW SENSOR	1
8	37384	10720	CONNECTOR HOSE WITH THREDDDED FITTINGS	1
9	32940	10722	THREADED ADAPTOR B	1
10	37554	11131	CELL COVER	2
11	37592	11432	ELECTROLYTIC CELL NUT	1
12	37562	11228	L-SHAPED O-RING	1
13	37615	11488	COPPER ELECTRODE NUT	1
16	37623	11515	TITANIUM ELECTRODE O-RING	1
17	37595	11440	COPPER ELECTRODE O-RING	1
18	37627	11680	CONTROL STATION FOR 54602	1