



METAL FRAME POOLS – 10ft & 12ft



10127

#10127
Strainer Hole Plug
PLU# 29200



10426

#10426
Pin
PLU# 29194



10618

#10618
Horizontal Beam
PLU# 29188



10649

#10649
Drain Valve Cap
PLU# 29205



10463

#10463
Leg & Beam Joint
PLU# 29185



10619

#10619
Vertical Legs & Spring Pin
PLU# 29190



10313

#10313
Spring Pin
PLU# 29196



10576

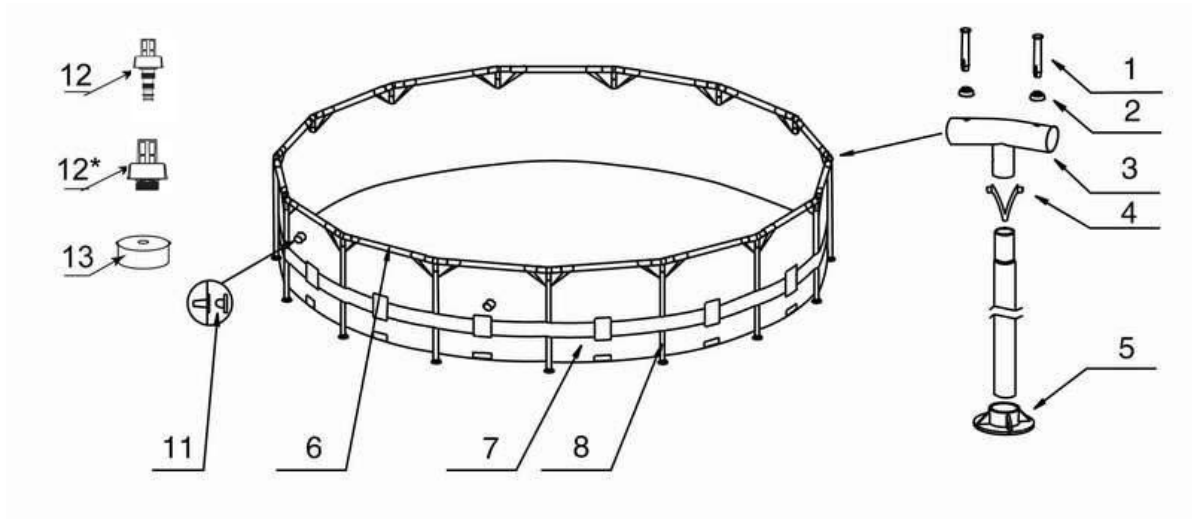
#10576
Vertical Leg End Cap
PLU# 29198



10648

#10648
Seal
PLU# 29197

METAL FRAME POOLS – 10ft & 12ft cont.



REF NO.	PLU	SPARE PART NO.	DESCRIPTION	10FT x 30" QTY	12FT x 30" QTY
1	29194	10426	PIN	22	26
2	29197	10648	SEAL	22	26
3	29185	10463	T-JOINT	10	
3	29186	10424	T-JOINT		12
4	29196	10313	SPRING PIN	10	12
5	29198	10576	LEG CAP	10	12
6	29188	10618	HORIZONTAL BEAM	10	12
7	29168	10615	10FT x 30" POOL LINER	1	
7	29169	10616	12FT x 30" POOL LINER		1
8	29190	10619	VERTICAL LEG	10	12
11	29200	10127	STRAINER HOLE PLUG	3	3
12	32943	10201	DRAIN CONNECTOR	1	1
13	29205	10649	DRAIN VALVE CAP	1	1