



CARTRIDGE FILTER PUMP #636

(Product Code: 28636)



#10255

Flat Strainer Rubber Washer
PLU# 32937



#10460

Air Release Valve
PLU# 32929



#10750

Filter Housing Cover
PLU# 37521



#10256

Strainer Nut
PLU# 32936



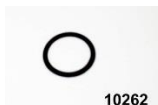
#10493

Pump Hose with Nuts
PLU# 37314



#11074

Adjustable Pool Inlet Nozzle
PLU# 32939



#10262

Hose O-Ring
PLU# 32934



#10745

Step Washer
PLU# 32935



#11235

Threaded Strainer Connector
PLU# 32938



#10264

Air Release Valve O-Ring
PLU# 32930



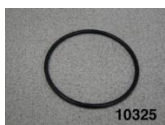
#10747

Plunger Valve
PLU# 29201



#11472AU

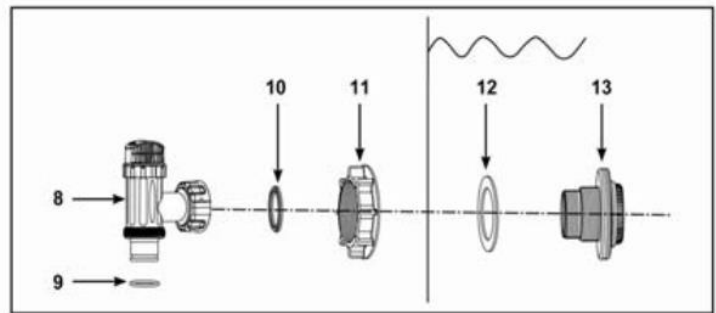
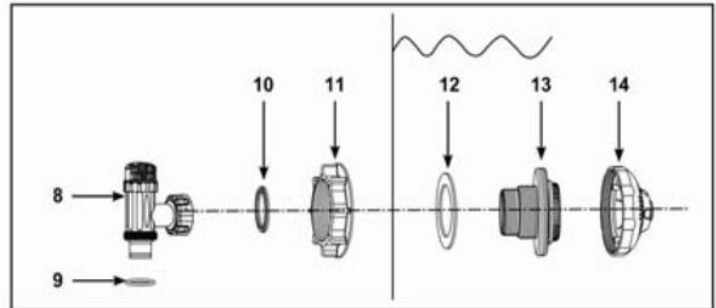
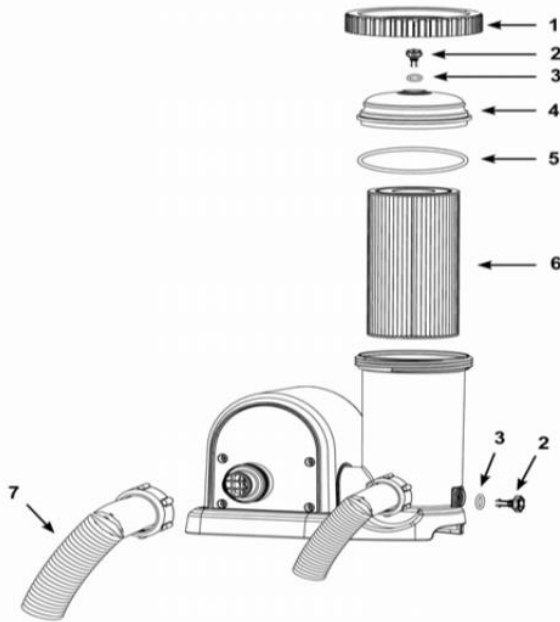
Filter Housing/Motor
PLU# 37612



#10325

Cover Seal
PLU# 32932

CARTRIDGE FILTER PUMP #636 cont.



REF NO.	PLU	SPARE PART NO.	DESCRIPTION	QTY
1	37520	10749	THREADED FILTER HOUSING	1
2	32929	10460	AIR REALEASE VALVE / SEDIMENT RELEASE VALVE	2
3	32930	10264	VALVE O-RINGS	2
4	37521	10750	FILTER HOUSING COVER	1
5	32932	10325	FILTER HOUSING O-RING	1
7	37314	10493	1.5M X DIA 1-1/2" PUMP HOSE WITH NUTS	2
8	29201	10747	PLUNGER VALVE	2
9	32934	10262	HOSE RING	2
10	32935	10745	STEP WASHER	2
11	32936	10256	STRAINER NUT	2
12	32937	10255	FLAT STRAINER RUBBER WASHER	2
13	32938	11235	THREADED STRAINER CONNECTOR	2
14	32939	11074	DJUSTABLE POOL INLET NOZZLE	1
*	37612	11472	1500 GAL FILTER PUMP HOUSING & MOTOR (230V)	1