

# INTEX® OWNER'S MANUAL

## MULTIFUNCTION LED LIGHT 3 AAA Cell Size Batteries Model CL1110

READ AND FOLLOW ALL INSTRUCTIONS BEFORE USING THIS PRODUCT

169  
IO

### ⚠ WARNING

- Adult use only. This product is not a toy, keep away from children.
- Do not stare directly at the light emitted by this product.
- This product is resistant to rain and splashing water, but it is not submersible. Do not drop into or immerse in water.

#### General Information

- This product operates on three (3) AAA size batteries (not included). LED light wattage: 1 W.
- For maximum power use alkaline batteries. Remove batteries from equipment which is not to be used for an extended period of time.
- Do not mix old and new batteries. Do not mix alkaline, standard (Carbon - Zinc), or rechargeable (Nickel - Cadmium) batteries.
- Remove used batteries promptly.
- Always purchase the correct size and grade of battery most suitable for the intended use.
- Replace all batteries of a set at the same time.
- Clean the battery contacts and also those of the device prior to battery installation.
- Ensure batteries are installed correctly with regard to polarity (+ and -).
- The LED is a lifetime light source. It will never need to be replaced.
- The operating time for this product depends on whether it is run continuously or intermittently. Intermittent use extends the operating time of a set of batteries.
- To clean the product, use only a damp cloth. Avoid strong cleaner, excessive water and abrasive brush.

Due to a policy of continuous product improvement, Intex reserves the right to change specifications and appearance, which may result in updates to the instruction manual, without notice.

## SAVE THESE INSTRUCTIONS

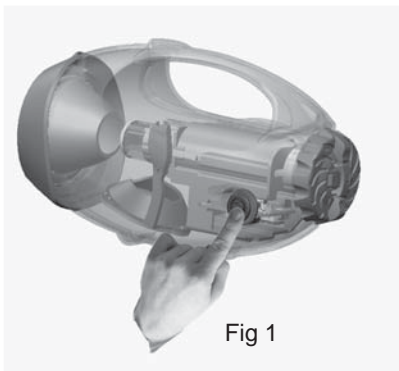
Page 1

169-IO-R0-1507

169  
IO

#### Functions and Operation

- ON/OFF push button: Sets light brightness in lantern and flashlight mode (see Fig 1):



| Press Button | Brightness/Function                                     | Percent | Battery Life |
|--------------|---|---------|--------------|
| Once         | Low   | 8%      | * 28 hours   |
| Twice        | Medium  | 50%     | * 3 hours    |
| Three times  | High  | 100%    | * 1 hour     |
| Four times   | SOS, Emergency beacon<br>international SOS signal light | 100%    |              |
| Five times   | Flashing hazard light                                   | 100%    |              |
| Six times    | Off   |         |              |

\* Based on 3 AAA fresh alkaline batteries.

- The brightness of the flashing hazard light and emergency beacon light are defaulted to full power (100%) and cannot be adjusted.
- When the light is on, press and hold the button for 3 seconds to turn off the light.
- When the light is off, press and hold the button for 3 seconds, you can switch the light to SOS function directly.

## SAVE THESE INSTRUCTIONS

Page 2

**Functions and Operation (Continued)**

• Turn-knob: adjust between lantern and flashlight use (See Fig. 2 and 3):

➤ Turn clockwise to convert light into 360 degree lantern; can be hung or placed on the table.

➤ Turn counterclockwise to convert light to a flashlight/torch. Amount of turn adjusts the spotlight beam-angle and focus distance. Hanging light in flashlight mode produces a downward spotlight effect.

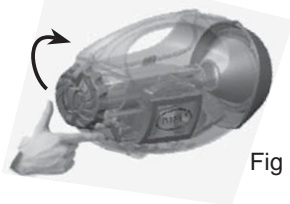


Fig 2



Fig 3

**To Install or Replace the Batteries**

1. Open the battery cover and insert three (3) AAA size batteries following the orientation shown on the battery housing. (see Fig 4 & 5).
2. Close the battery cover back.

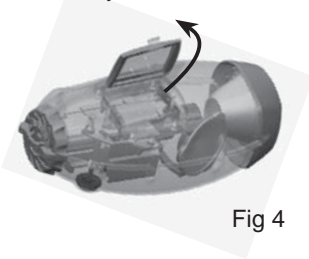


Fig 4

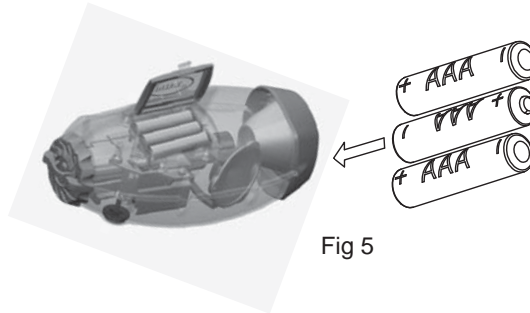


Fig 5

**SAVE THESE INSTRUCTIONS**

**Limited Warranty**

Your MULTIFUNCTION LED LIGHT has been manufactured using the highest quality materials and workmanship. All Intex products have been inspected and found free of defects prior to leaving the factory. This Limited Warranty applies only to the MULTIFUNCTION LED LIGHT.

The following provision is only valid within the European member states countries: The legal regulation of Directive 1999/44/EC will not be effected by this Intex warranty.

The provisions of this Limited Warranty apply only to the original purchaser and is not transferable. This Limited Warranty is valid for a period of one (1) year from the date of the initial retail purchase. Keep your original sales receipt with this manual, as proof of purchase will be required and must accompany warranty claims or the Limited Warranty is invalid.

If a manufacturing defect is found within this one (1) year period, please contact the appropriate Intex Service Center listed in the separate "Authorized Service Centers" sheet. The Service Center will determine the validity of the claim.

IMPLIED WARRANTIES ARE LIMITED TO THE TERMS OF THIS WARRANTY AND IN NO EVENT SHALL INTEX, THEIR AUTHORIZED AGENTS OR EMPLOYEES BE LIABLE TO THE BUYER OR ANY OTHER PARTY FOR DIRECT OR CONSEQUENTIAL DAMAGES OR LIABILITIES. Some countries, or jurisdictions do not allow the exclusion or limitation of incidental or consequential damages, so the above limitation or exclusion may not apply to you.

This Limited Warranty does not apply if the MULTIFUNCTION LED LIGHT is subject to negligence, abnormal use or operation, accident, improper operation, improper voltage or current contrary to operating instructions, or to damage by circumstances beyond Intex's control, including but not limited to, ordinary wear and tear and damage caused by exposure to fire, flood, freezing, rain, or other external environmental forces. This Limited Warranty applies only to those parts and components sold by Intex. The Limited Warranty does not cover unauthorized alterations, repairs or disassembly by anyone other than Intex Service Center personnel.

Injury or damage to any property or person is not covered by this warranty.

**SAVE THESE INSTRUCTIONS**