

INTEX® OWNER'S MANUAL

243
IO

LED FLOATING POOL LIGHT Model FL690

READ AND FOLLOW ALL INSTRUCTIONS BEFORE USING THIS PRODUCT

WARNING

- For adult use only. This product is not a toy, keep away from children.
- Do not stare directly at the light emitted by this product.
- This product is resistant to water, but it is not designed to be completely submerged. Submersion could cause water to enter the product causing damage to the electronics.
- Do not replace the batteries while in the pool.
- Do not sit, straddle, or step on the product.

FOLLOW THESE RULES AND ALL INSTRUCTIONS TO AVOID INJURY OR PROPERTY DAMAGE.

General Information and Maintenance Instructions:

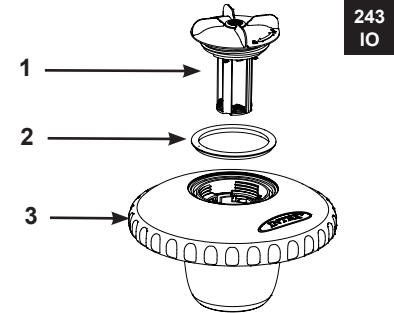
- Best for pools up to 18 feet (549cm) in diameter.
- This product operates on four (4) AAA size batteries (not included).
- Alkaline batteries are recommended. Rechargeable batteries are okay to use.
- Remove batteries if light is not to be used for an extended period of time.
- Do not mix old and new batteries. Do not mix alkaline, standard (Carbon - Zinc), or rechargeable (Nickel - Cadmium) batteries.
- Dry any water on the product prior to battery installation. Remove used batteries promptly. Replace all 4 batteries at the same time.
- Always purchase the correct size and grade of battery most suitable for the intended use. Ensure batteries are installed correctly with regard to polarity (+ and -). Clean the battery contacts and also those of the device prior to battery installation.
- To clean the product, use only a damp cloth. Avoid strong cleaner, excessive water and abrasive brush.

SAVE THESE INSTRUCTIONS

243-IO-R0-1505

Parts reference:

REF. NO.	DESCRIPTION	QTY.	SPARE PART NO.
1	BATTERY HOUSING	1	11753
2	T-SHAPE RING	1	11754
3	LIGHT BODY	1	11755

**To install or replace batteries:**

1. Dry product completely. Unscrew the battery housing from the light body in a counter-clockwise direction (see Fig 1).
2. Insert 4 AAA size batteries following the orientation shown on the battery holder (see Fig 2).
3. Reinstall the battery housing by aligning the groove on the battery housing with the ridge on the light body (see Fig 3).
4. Using a clockwise motion, securely tighten the battery housing by hand only (see Fig 4).

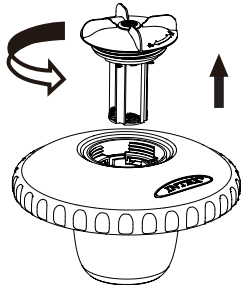


Fig 1

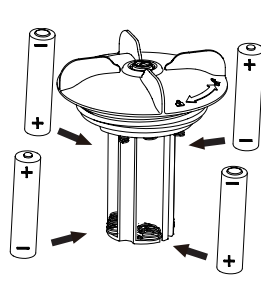


Fig 2

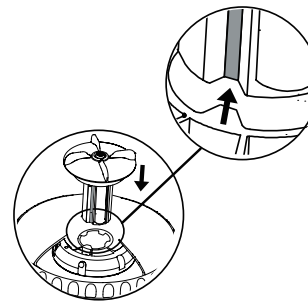


Fig 3

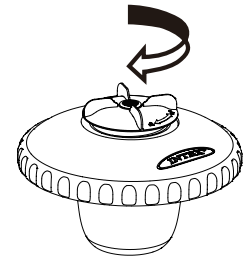


Fig 4

Due to a policy of continuous product improvement, Intex reserves the right to change specifications and appearance, which may result in updates to the instruction manual without notice.

SAVE THESE INSTRUCTIONS

Operation Instructions:

1. ON/OFF push button: turns the light ON and OFF, and for lighting mode selection (see Fig 5).
2. Turn on the light and place the light on the pool water surface with the ON/OFF push button facing up. **Do not immerse the product in water.**

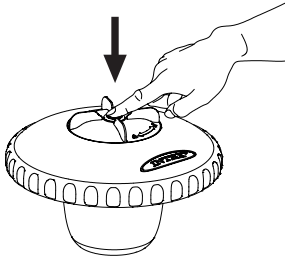


Fig 5

Press Button	once	twice	three times	four times
Mode (Brightness)				OFF
*Battery life	4 hours	40 hours	3 hours	
*Approximate and based on 4 AAA fresh alkaline batteries.				

NOTE: After 2 hours of continuous use, the device will automatically switch off to save energy.

Troubleshooting guide:

Q. What should I do if the product does not light up?

1. Check the battery housing to ensure 4 AAA batteries are installed correctly with regard to polarity (+ and -).
2. Check that the battery housing is snug (hand tightened).
3. Replace the batteries.

Q. What should I do if the light emitted by this product is too weak?

1. Clean outside surface of the light housing using a soft damp cloth. Note: the light housing is an optical component, to avoid any scratches do not use any hard or abrasive rag to clean it.
2. Replace all batteries with 4 new AAA batteries.
3. Pool size exceeds 18' (549cm) diameter. Use two or more lights for larger pools.

SAVE THESE INSTRUCTIONS

Limited Warranty

Your LED FLOATING POOL LIGHT has been manufactured using the highest quality materials and workmanship. All Intex products have been inspected and found free of defects prior to leaving the factory. This Limited Warranty applies only to the LED FLOATING POOL LIGHT.

The following provision is only valid within the European member states countries: The legal regulation of Directive 1999/44/EC will not be effected by this Intex warranty.

The provisions of this Limited Warranty apply only to the original purchaser and is not transferable. This Limited Warranty is valid for a period of one (1) year from the date of the initial retail purchase. Keep your original sales receipt with this manual, as proof of purchase will be required and must accompany warranty claims or the Limited Warranty is invalid.

If a manufacturing defect is found within this one (1) year period, please contact the appropriate Intex Service Center listed in the separate "Authorized Service Centers" sheet. The Service Center will determine the validity of the claim.

IMPLIED WARRANTIES ARE LIMITED TO THE TERMS OF THIS WARRANTY AND IN NO EVENT SHALL INTEX, THEIR AUTHORIZED AGENTS OR EMPLOYEES BE LIABLE TO THE BUYER OR ANY OTHER PARTY FOR DIRECT OR CONSEQUENTIAL DAMAGES OR LIABILITIES. Some countries, or jurisdictions do not allow the exclusion or limitation of incidental or consequential damages, so the above limitation or exclusion may not apply to you.

This Limited Warranty does not apply if the product is subject to negligence, abnormal use or operation, accident, improper operation, improper voltage or current contrary to operating instructions, or to damage by circumstances beyond Intex's control, including but not limited to, ordinary wear and tear and damage caused by exposure to fire, flood, freezing, rain, or other external environmental forces. This Limited Warranty applies only to those parts and components sold by Intex. The Limited Warranty does not cover unauthorized alterations, repairs or disassembly by anyone other than Intex Service Center personnel.

Injury or damage to any property or person is not covered by this warranty.

SAVE THESE INSTRUCTIONS